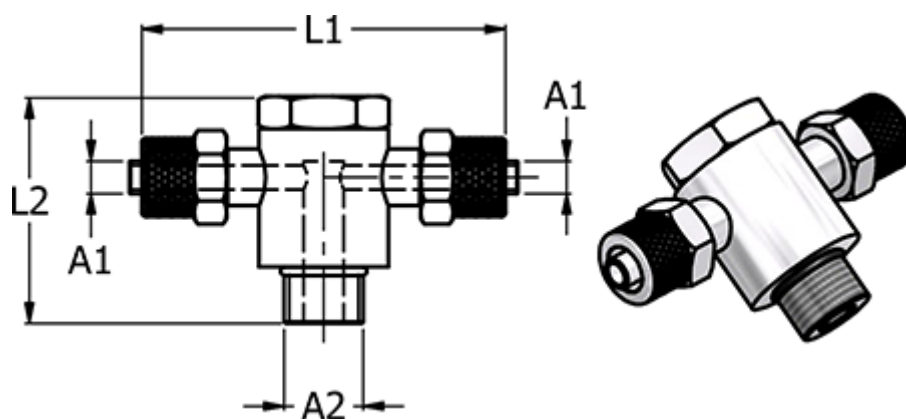


Article number: 5861421210

Description: Push-on fitting 14.212-10, metal $\text{Ø}10/8\text{-G } 1/2\text{'-}\text{Ø}10/8$
Banjo Tee

Measures



Hose diameter A1	= 10/8
L1	= 61.0
L2	= 42.0
NV	= 27
Thread A2	= G 1/2"